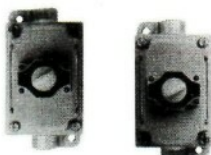
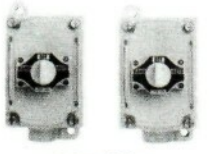
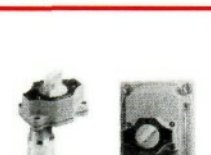
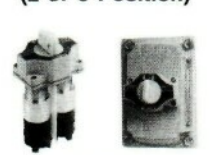




M-22

Class I, Div. 1,
Groups C,D
Class I, Div. 2,
Groups B,C,D
Class II, Div. 1 and 2,
Groups E,F,G
Class III
NEMA 3,7CD,9EFG

Contender™ Series Factory Sealed Selector Switches: Explosion-Proof, Dust-Ignition-Proof

UNILETS® for Use with Threaded Metal Conduit.
10 Ampere, 600V A.C. Max. for Heavy Duty Use.
Furnished with Internal Ground Screw.

		Hub Size, Inches	Description	Left	Diagram Center	Right	Catalog Dead-End	Number Feed-Thru
Single Gang*								
 <p>2 Position (2 or 4 Circuit)</p>	1/2	2 Position		None		EDS11271	EDSC11271	
	3/4	2 Circuit				EDS21271	EDSC21271	
	1					EDS31271	EDSC31271	
 <p>2 Position (2 or 4 Circuit)</p>	1/2	2 Position		None		EDS11272	EDSC11272	
	3/4	4 Circuit				EDS21272	EDSC21272	
	1					EDS31272	EDSC31272	
 <p>3 Position (2 or 4 Circuit)</p>	1/2	3 Position				EDS11273	EDSC11273	
	3/4	2 Circuit				EDS21273	EDSC21273	
	1					EDS31273	EDSC31273	
 <p>3 Position (2 or 4 Circuit)</p>	1/2	3 Position				EDS11274	EDSC11274	
	3/4	4 Circuit				EDS21274	EDSC21274	
	1					EDS31274	EDSC31274	
Selector Switch Operator/Switch Assembly								
		Thread Size	Description	Left	Diagram Center	Right	Assembly Only	Assembly with Cover
 <p>2 Circuit (2 or 3 Position)</p>	1/2	2 Position, 2 Circuit		None		SSBA12Q	EDKB-12	
	1/2	2 Position, 4 Circuit				SSBA22Q	EDKB-35	
 <p>4 Circuit (2 or 3 Position)</p>	1/2	3 Position, 2 Circuit				SSBA13Q	EDKB102	
	1/2	3 Position, 4 Circuit				SSBA23Q	EDKB345	

Two Position Nameplates†

Forward – Reverse
Hand – Auto†
On – Off
Start – Stop
Blank

SLNP-FRQ
SLNP-HAQ
SLNP-OO
SLNP-SS
SLNP-BQ

Three Position Nameplates‡

Forward – Off – Reverse
Hand – Off – Auto†
Run – Off – Jog
Blank

SLNP-FORQ
SLNP-HOAQ
SLNP-ROJQ
SLNP-B3



Selector Switch Locking Devices

Permit locking in any position



Two or Three Position

SBL-3-Q

* Malleable iron body and cover. For aluminum body and cover, add suffix – SA. For Group B applications, refer to Appleton EFDB Series.
† Supplied as standard with above. ‡ For further nameplate options, see Section M, page 9.

Contender™ Series Factory Sealed Control Stations and Pilot Lights: Explosion-Proof, Dust-Ignition-Proof

UNILETS® for Use with Threaded Metal Conduit.
Furnished with Internal Ground Screw.

Standard Materials

- Control Stations: malleable iron body with malleable iron cover.
- *SPBB push button*: aluminum upper barrel and phenolic lower barrel with lexan plastic button (Dust Cap models have neoprene buttons).
- *SPL pilot light*: aluminum guard and body assembly; steel clamping ring; and tempered glass jewel.
- *SSAB selector switch*: aluminum operator mechanism, nylon cam, and sealed phenolic contact block.

Standard Finishes

- *Contender Series control stations*: body, triple-coat – (1) zinc electroplate, (2) dichromate, and (3) Epoxy Powder Coat.
- *SPBB push button, SPL pilot light and SSAB selector switch*: natural finish.

Options

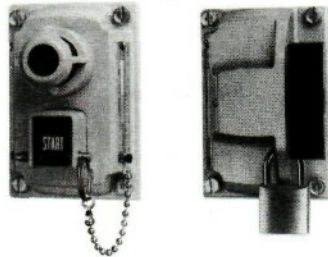
- Three position selector switches with modified operation. Momentary contact right position, spring return to center, maintained contact left position. Suffix – **S634**.
- Three position selector switches with modified operation. Momentary contact left position, spring return to center, maintained contact right position. Suffix – **S635**.
- Selector switch Lockout — locks two- or three-position handle in any position. Suffix – **S349**.
- Pilot light jewel/guard assembly. Order by suffixes if color desired is other than red as follows: Amber – **J6**; Blue – **J11**; Clear – **J10**; Green – **J3**; Opal – **J8**.
- Bodies and covers (single or two gang) in copper-free aluminum. Suffix – **SA**.
- Securing Rod for Push Button Lockout Guard. Suffix – **S153**.

Compliances

- UL Standard 698.
- Class I, Div. 1 and 2; Class II, Div. 1 and 2. See listing pages for specific groups.
- Appleton malleable iron products conform to ASTM A47-77, Grade 32510, which has the following properties: tensile strength, 50,000 psi; yield, 32,000

psi; and elongation, 10%.

- Appleton aluminum products are produced from a high strength copper-free (4/10 of 1% max.) alloy.

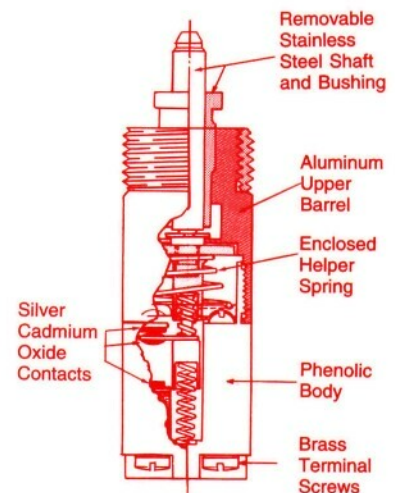


Securing Rod for Push Button Lockout Guard — available as an optional item. Lockout Guard furnished as standard with the push button, may also be pad-locked.



SPBB factory sealed push button used in Contender Series — standard type and unit with dust cap.

SPBB Design Features



**Class I, Div. 1 and 2,
Groups C,D;
Class II, Div. 1 and 2,
Groups E,F,G;
Class III
NEMA 7CD,9EFG**

Mounting Bodies for Contender™ Series Factory Sealed Control Stations

Furnished with Internal Ground Screw.

Hub Size, Inches	Dead-End Catalog Number		Feed-Thru Catalog Number	
	Malleable Iron	Aluminum	Malleable Iron	Aluminum

Single Gang and Two Gang Device Bodies

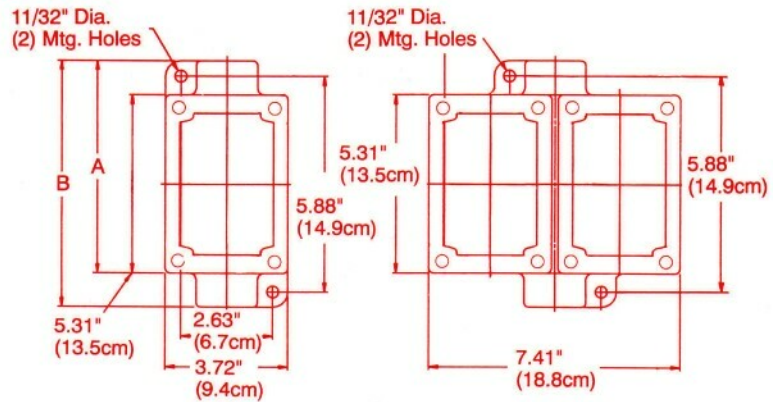


Single Gang - Deep

Hub Size	EDS171	EDS171-SA	EDSC171	EDSC171-SA
1/2	EDS171	EDS171-SA	EDSC171	EDSC171-SA
3/4	EDS271	EDS271-SA	EDSC271	EDSC271-SA
1	EDS371	EDS371-SA	EDSC371	EDSC371-SA

Two Gang - Deep

Hub Size	EDS172	EDS172-SA	EDSC172	EDSC172-SA
1/2	EDS172	EDS172-SA	EDSC172	EDSC172-SA
3/4	EDS272	EDS272-SA	EDSC272	EDSC272-SA
1	EDS372	EDS372-SA	EDSC372	EDSC372-SA



Hub Inches	Dimensions in Inches		Dimensions in Centimeters	
	A	B	A	B
1/2 & 3/4	6.06	6.81	15.40	17.30
1	6.17	7.03	15.70	17.90