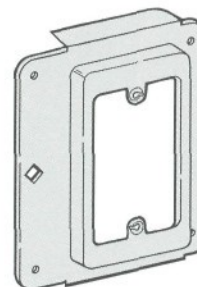
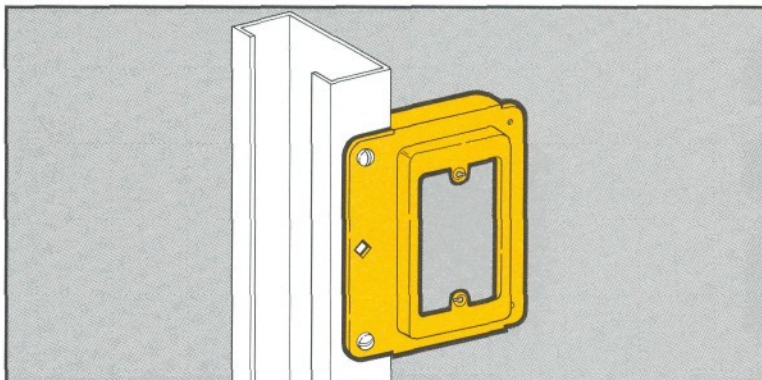


Cover Plate Mounting Bracket

FEATURES

- Provides attachment base for low voltage outlets: antenna, audio, computer, telephone and security.
- Locates communication outlets before drywall is installed.
- Attaches to metal studs with screws (not included).
- Replaces electrical box in Class 2 low voltage installations.
- For 1/2" and 5/8" drywall applications.
- Finish: Pre-galvanized

APPLICATIONS



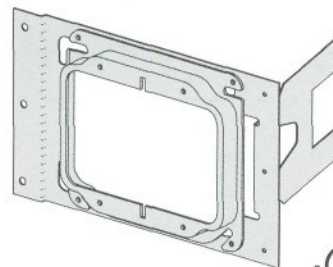
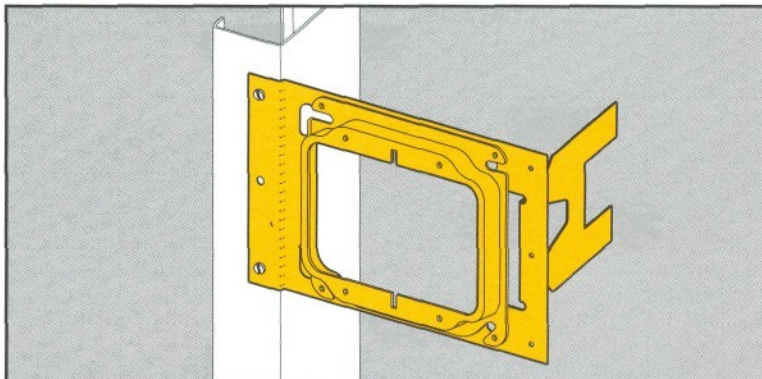
UPC/PART NUMBER	CATALOG NUMBER	DESCRIPTION	BOX QTY.
781011 19873	BB15	Single Gang Stud Bracket	25

Cover Plate Mounting Bracket

FEATURES

- Provides attachment base for low voltage outlets: antenna, audio, computer, telephone and security.
- Locates communication outlets before drywall is installed.
- Attaches to metal studs with screws (not included).
- Heavy-duty double gang design with far side support.
- Finish: Pre-galvanized

APPLICATIONS



UPC/PART NUMBER	CATALOG NUMBER	DESCRIPTION	BOX QTY.
781011 03625	BB25	Double Gang Stud Bracket (1/2" Raise)	25
781011 03626	BB25-10	Double Gang Stud Bracket (5/8" Raise)	25

Communication & Low Voltage

Read safety/installation instruction sheets in packages before use. These products are designed for positioning only. No load rating.

