

GUB Instrument Housings

Cl. I, Div. 1 & 2, Group D
 Cl. II, Div. 1, Groups E,F,G
 Cl. II, Div. 2, Groups F,G
 Class III
 NEMA 3,7D,9EFG,12

Explosionproof
 Dust-Ignitionproof
 Raintight/Wet Locations
 Watertight

4A-5



Application:

GUB instrument housings are used:

- to enclose ammeters, voltmeters, wattmeters, varimeters, power-factor meters, tachometer indicators, pressure controls, temperature control etc., in a threaded rigid metallic conduit system
- in specific hazardous atmospheres such as encountered in oil refineries, chemical plants, paint and varnish manufacturing plants, certain hazardous metal finishing areas, coal processing locations, granaries and grain processing plants

Features:

- Threaded covers have glass windows for viewing scale, dial or setting of enclosed instrument.
- Mounting plates, brackets or pillars for mounting a wide variety of instruments not shown on pages 4A-4 and 4A-6 are available on special order. Instrument to be used must be specified by make, complete identification data and dimensions.

Standard Materials:

- Body – *Feraloy*® iron alloy
- Cover – copper-free aluminum
- Window – heat strengthened plate glass

Standard Finishes:

- *Feraloy* iron alloy – electrogalvanized and aluminum acrylic paint
- Copper-free aluminum – natural

Options:

- Other conduit opening sizes and arrangements can be furnished

Certifications and Compliances:

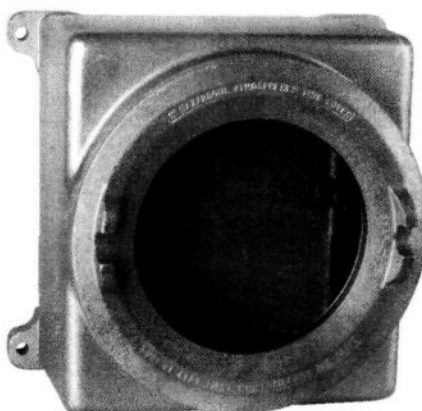
- NEC/CEC:
 - Class I, Division 1 & 2, Group D
 - Class II, Division 1, Groups E,F,G
 - Class II, Division 2, Groups F,G
 - Class III
- NEMA/EEMAC: 3,7D,9EFG,12
- UL Standard: 886
- CSA Standard: C22.2 No. 30



GUB01



GUB04



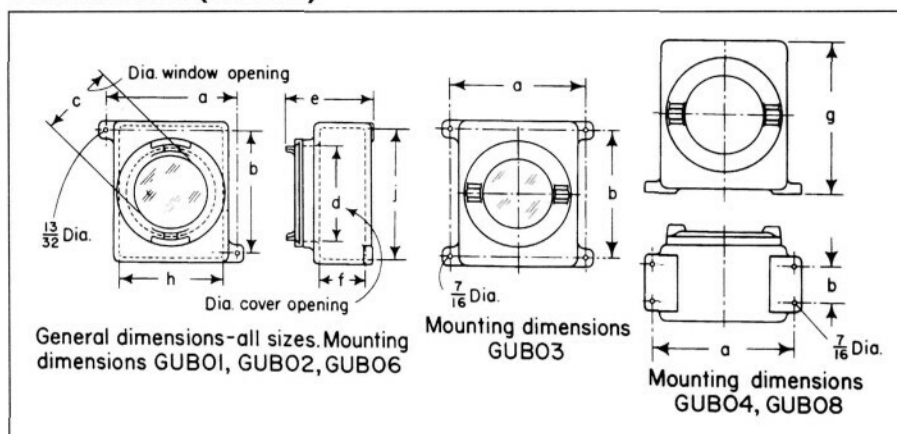
GUB03

Instrument Housings

Basic Housing	Conduit Opening Size	Conduit Opening Position	Cat. #
GUB01	3/4	Top	GUB110-1-20
	3/4	Bottom	GUB110-1-02
GUB02	3/4	Top	GUB218-1-20
	3/4	Bottom	GUB218-1-02
GUB06	3/4	Top	GUB619-1-20
	3/4	Bottom	GUB619-1-02
GUB03	3/4	Top	GUB319-1-20
	3/4	Bottom	GUB319-1-02
GUB08	3/4	Top	GUB819-1-20
	3/4	Back	GUB819-5-02
GUB04	3/4	Top	GUB419-1-20
	3/4	Back	GUB419-5-02

4A Instruments

Dimensions (inches)



Dimensions are approximate, not for construction purposes.

GUB	a	b	c	d	e	f	g	h	j
01	7½	5¾	3⅝	5½	5¾	3		5⅞	6½
02	9	8¾	4¾	7	6	3		7⅞	9½
03	12⅞	10¾	6⅜	9⅝	8⅝	5		9¾	10¾
04	12⅞	3½	6⅜	9⅝	8⅜	5	12¼	9¾	10¾
06	9½	8¾	4¾	7	7	4		7⅞	9½
08	9⅝	2½	4¾	7	6⅝	4	10¼	7⅞	9½