

**1L**

# NDA Corro•Gard™ Corrosion-Resistant Incandescent Luminaires

Cl. I, Div. 2, Groups A,B,C,D  
Corrosive  
Wet Locations  
NEMA 3,3R,4,4X

## Application:

Corro•Gard™ NDA series Luminaires made of Krydon® fiberglass-reinforced polyester are used to provide incandescent lighting:

- indoors or outdoors in industrial wet or dirty locations and where corrosion is a problem
- in marine applications, above and below deck, where salt spray corrosion shortens fixture life
- in food and beverage industries where frequent wash-downs are necessary
- for walkways, bridges, tunnels, security lighting, cold storage facilities, garages, coal handling areas, shipboard, processing plants, and nuclear generating plant containment areas

## Features:

- Luminaire is molded Krydon® for excellent corrosion, heat, and impact resistance.
- Accommodates all popular incandescent lamps up to 300W, PS-25.
- Attractive modern design and color complement other Corro•Gard products.
- Weighs only 8½ lbs. complete with lamp and globe.
- Medium screw base porcelain lamp socket has a vibration absorbing mounting bracket.
- All joints are gasketed to ensure watertightness.
- Configured glass globe reduces glare.
- Corro•Gard reflectors made of Krydon® reflect light better than porcelainized steel; do not yellow or discolor with age; cannot chip, peel, rust or dent.

## Standard Materials:

- Bodies and reflectors – Krydon® fiberglass-reinforced polyester material
- Globes – configured heat-resistant glass

## Standard Finishes:

- Bodies – natural
- Reflectors – natural, high reflectance white

## Options:

- TEFLON® coating on G24 globe for increased shatter protection. . . . . add suffix **S808**.

## Accessories & Parts

### Globe



<b>Color</b>	<b>Cat. #</b>
Clear (heat resisting)	G24
Green	G25
Blue	G26
Red	G27
Amber	G28

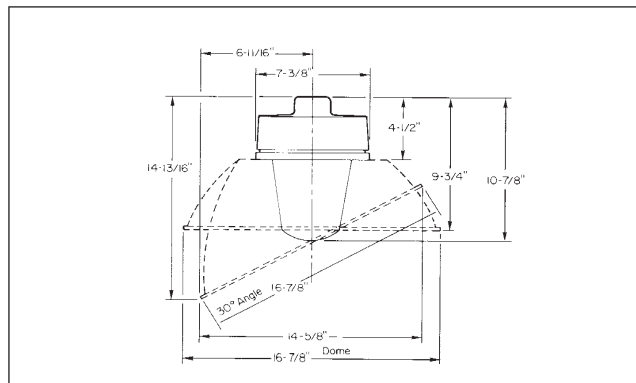
### Guard

Cat. #  
P21

## Certifications and Compliances:

- UL Standard: 1598
- Wet Locations
- Suitable for 40°C ambient temperature

## Dimensions



## NDA Series Ordering Information For Pendant Mounting

<b>Hub Size</b>	<b>Max. Lamp Size</b>	<b>Body Only Cat. #</b>	<b>Globe Only Cat. #</b>	<b>Body With Globe† Cat. #</b>
¾"	300W PS-25 Med. Base 120V	NDA22	G24	NDA22G

## Temperature Performance Data: (based on 40°C ambient)

<b>Max. Lamp Size</b>	<b>T-Number</b>	<b>Supply Wire (°C)</b>
300W	T2A	150°C

(Note: Fixtures are not marked with T-Number.)

## Replacement Lamp Receptacles with Strap Shock Absorbing



Cat No. NV84

## Reflectors (Order separately)



Dome



30° Angle

<b>Type</b>	<b>Cat. #</b>
Dome	RD725 (RD75)
30° Angle	RA725 (RA75)

Incandescent Fixtures  
**1L**