

Edwards® 59 Low Voltage - High Amperage Push Button



Features

- Snap fit for 3/4" (19mm) hole

Description

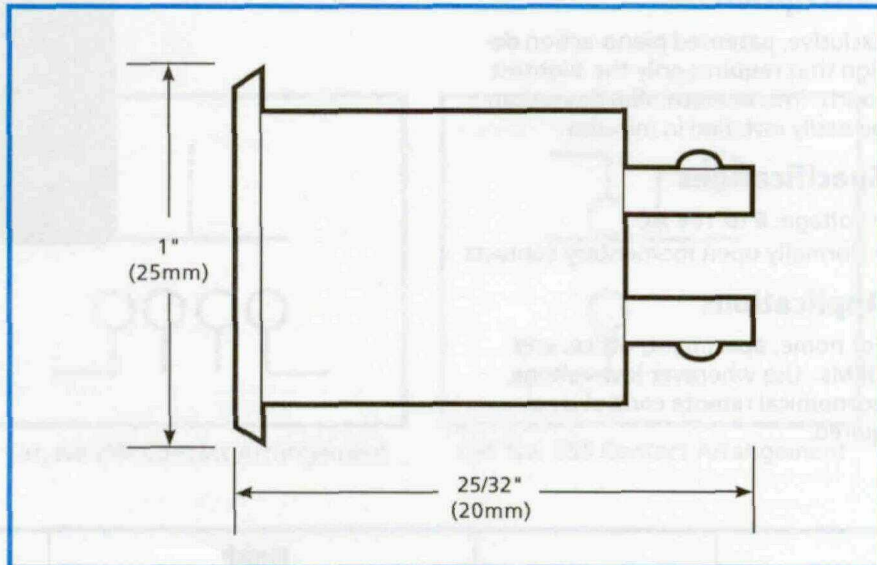
Low voltage, high amperage push button designed for 3/4" (19mm) hole force fit. Flat white button center prevents accidental operation.

Specifications

- Normally open momentary contacts

Applications

Use wherever a low voltage, high amperage, economical push button is required.



Cat. No.	AC Volts	DC Amps	Amps	Finish		Hole Size	Hole Depth
				Rim	Center		
59	12	8.0	8.0	Polished		3/4"	11/16"
	24	6.0	4.0	Nickel	White	(19mm)	(17mm)
	48	3.0	2.0				