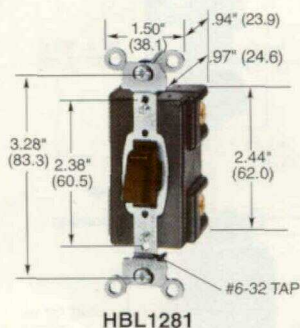


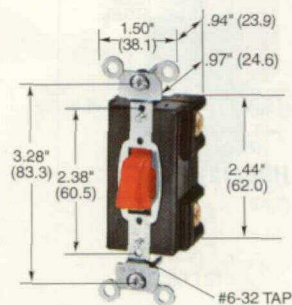
AC Switches

20 Ampere, 120-277 Volts AC

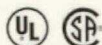
PresSwitch® Push Button Switches



HBL1281



HBL1297

**Specification Grade, Side Wired Only
Standard Type****20A, 120-277V AC**

Description	Catalog Numbers			
	Single Pole	Double Pole	Three Way	Four Way
Brown nylon actuator.	HBL1281	HBL1282	HBL1283*	HBL1284*
Ivory nylon actuator.	HBL1281I	HBL1282I	HBL1283I*	HBL1284I*

**Momentary Type
20A, 120-277V AC**

Description	Catalog Numbers			
	Single Pole	Double Pole	Three Way	Four Way
Circuit normally closed, brown.	HBL1281MC*	-	-	-
Circuit normally open, brown.	HBL1281MO*	-	-	-

**Lighted and Pilot Light PresSwitches,
120V AC Lighted Actuator (light on with load off)**

Description	Catalog Numbers			
	Single Pole	Double Pole	Three Way	Four Way
15A, ivory nylon actuator.	-	-	-	HBL1259I*
20A, ivory nylon actuator.	HBL1287I	-	HBL1288I*	-

20A, 120V AC Pilot Light Actuator (light on with load on)

Description	Catalog Numbers			
	Single Pole	Double Pole	Three Way	Four Way
Red nylon actuator.	HBL1297	-	HBL1298*	-

Notes: See Section K for wallplates.

See pages C-28 and C-29 for wiring diagrams.

For accessories see pages C-22-C-24.

*Not Listed by UL or CSA.

HP Conversion Chart

	120V	240V
15A	1 HP	2HP
20A	1½ HP	2HP

Technical Information

Industrial Heavy Duty Specification Grade Switches

SP, DP, 3-Way, 4-Way

Specifications

Listings	Component	Material
UL Listed CSA Certified Listed to Fed. Spec. W-S-896E, SP, DP, 3-way and 4-way	Base	Material Thermoset, Color Coded by Amperage
	Top	Thermoset, Gray
	Toggle	Nylon ‡
	Terminals	Brass
	Terminal Screws	Brass
	Mounting Bridge	Nickel Plated Steel
	Contacts	Silver Cadmium Oxide
	Moveable Contact Arm	Brass
	Rocker	Thermoplastic rubber
	Ground Terminal	Nickel-Plated Steel
	Ground Screw	Brass
	Automatic Grounding Clip	Stainless Steel

Performance Data

Electrical

Dielectric Voltage	Withstands 1500V AC minimum.
Max. Working Voltage	277V AC
Overload	Minimum 4.8 times rated current for 100 cycles.
Temperature Rise	30° C maximum at rated current.
Max. Continuous Current	15A, 20A, 30A.
Endurance	50,000 cycles min., tungsten filament lamp load (Fed. Spec.) #WS896E, SP, DP, 3-way and 4-way.

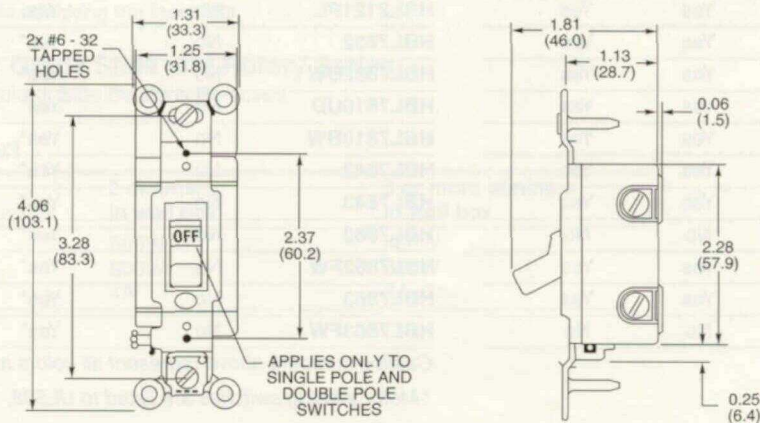
Mechanical

Terminal Accommodations	#14 AWG min. - #10 AWG max. solid and stranded wire.
-------------------------	--

Environmental

Flammability	UL 94V-2.
Operating Temperature	Max. continuous: 75° C; Min. continuous: -40° C w/o impact.

‡ Pilot light and lighted clear toggles are polycarbonate.



SP, DP, 3-Way, 4-Way Switches