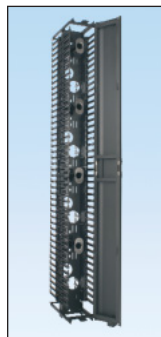


specifications

The 7 foot vertical cable manager shall consist of a metal backbone with cable management fingers that align with EIA rack spacing. The fingers shall be molded out of plastic and provide integral bend radius control throughout the entire length. Individual fingers shall be able to be removed without the aid of a tool. The backbone shall have pass through holes with rolled edges that provide bend radius control. The manager shall accept a metal, hinged door that can open to the right or left. The manager shall accept plastic slack management spools that can be repositioned as required. The vertical panel shall be able to manage all the cable on the rack without the aid of horizontal cable managers.



technical information

Dimensions:	PRV6:	83.9"H x 6.0"W x 16.4"D (2131mm x 152mm x 417mm)
	PRVF6:	83.9"H x 6.0"W x 9.7"D (2131mm x 152mm x 246mm)
	PRV8:	83.9"H x 8.0"W x 16.4"D (2131mm x 203mm x 417mm)
	PRVF8:	83.9"H x 8.0"W x 9.7"D (2131mm x 203mm x 246mm)
	PRV10:	83.9"H x 10.0"W x 16.4"D (2131mm x 253mm x 417mm)
	PRVF10:	83.9"H x 10.0"W x 9.7"D (2131mm x 253mm x 246mm)
	PRV12:	83.9"H x 12.0"W x 16.4"D (2131mm x 305mm x 417mm)
	PRVF12:	83.9"H x 12.0"W x 9.7"D (2131mm x 305mm x 246mm)
	PRV15:	83.9"H x 15.0"W x 16.4"D (2131mm x 381mm x 417mm)
	PRVF15:	83.9"H x 15.0"W x 9.7"D (2131mm x 381mm x 246mm)

Mounting options: Mounts to all PANDUIT EIA racks

Packaging: One vertical cable manager with assembly hardware and installation instructions: PRV8, 10, 12 and 15 series includes four each PRSP7 spools

key features and benefits

High-density	Minimizes area required for network layout, freeing up valuable floor space
Curved fingers	Support cables as they transition to the vertical pathway eliminating the need for horizontal managers
Individual fingers	Individual fingers can be removed (without the use of a tool) to provide a large open area when creating cable pathways Aligns with rack spaces to simplify cable routing for moves, adds, and changes
Integral bend radius control	Maintains cable bend radius ensuring network performance and system reliability
Slack management spools	Organize and manage patch cord slack allowing for standardization of patch cord lengths
Dual hinged door	Opens to the left or right to allow easy access to vertical pathway without having to completely remove door
Snap-on vertical retainers	Can be placed on fingers to help retain cables in channel for improved cable management and appearance

applications

PATCHRUNNER™ 7 foot Vertical Cable Managers are designed to manage high-density networking equipment in up to half the area required by traditional cable management systems. Molded cable management fingers, with integral bend radius control, combine with PANDUIT angled patch panels to eliminate the need for horizontal cable managers. This frees up rack space for additional patch panels, active equipment, or cable pathways reducing

the number of racks that may be required for the network layout. The reduction in square footage combined with fewer components ordered, inventoried and installed results in significant cost savings for the network infrastructure. When used with PANDUIT connectivity, patch cords, and racks, the user receives a complete cable management solution that maximizes density while minimizing the area required for their network.

www.panduit.com

Vertical Cable Managers 7 Foot

6"W, front and rear:	PRV6
6"W, front only:	PRVF6
8"W, front and rear:	PRV8
8"W, front only:	PRVF8
10"W, front and rear:	PRV10
10"W, front only:	PRVF10
12"W, front and rear:	PRV12
12"W, front only:	PRVF12
15"W, front and rear:	PRV15
15"W, front only:	PRVF15

Dual Hinged Doors 7 Foot

6" x 7':	PRD6
8" x 7':	PRD8
10" x 7':	PRD10
12" x 7':	PRD12
15" x 7':	PRD15

Single Hinged Doors

6" x 7':	PRSHD6
8" x 7':	PRSHD8
12" x 7':	PRSHD12

Standard EIA Racks 7 Foot

19" mount:	CMR19X84
23" mount:	CMR23X84

Angled Patch Panels

24-port, 1 RU:	CPPLA24WBLY
48-port, 1 RU:	CPPA48HDWBLY
48-port, 2 RU:	CPPLA48WBLY

Horizontal Managers for Pathways

2 RU:	NCMHAEF2 NMF2
4 RU:	NCMHAEF4 NMF4

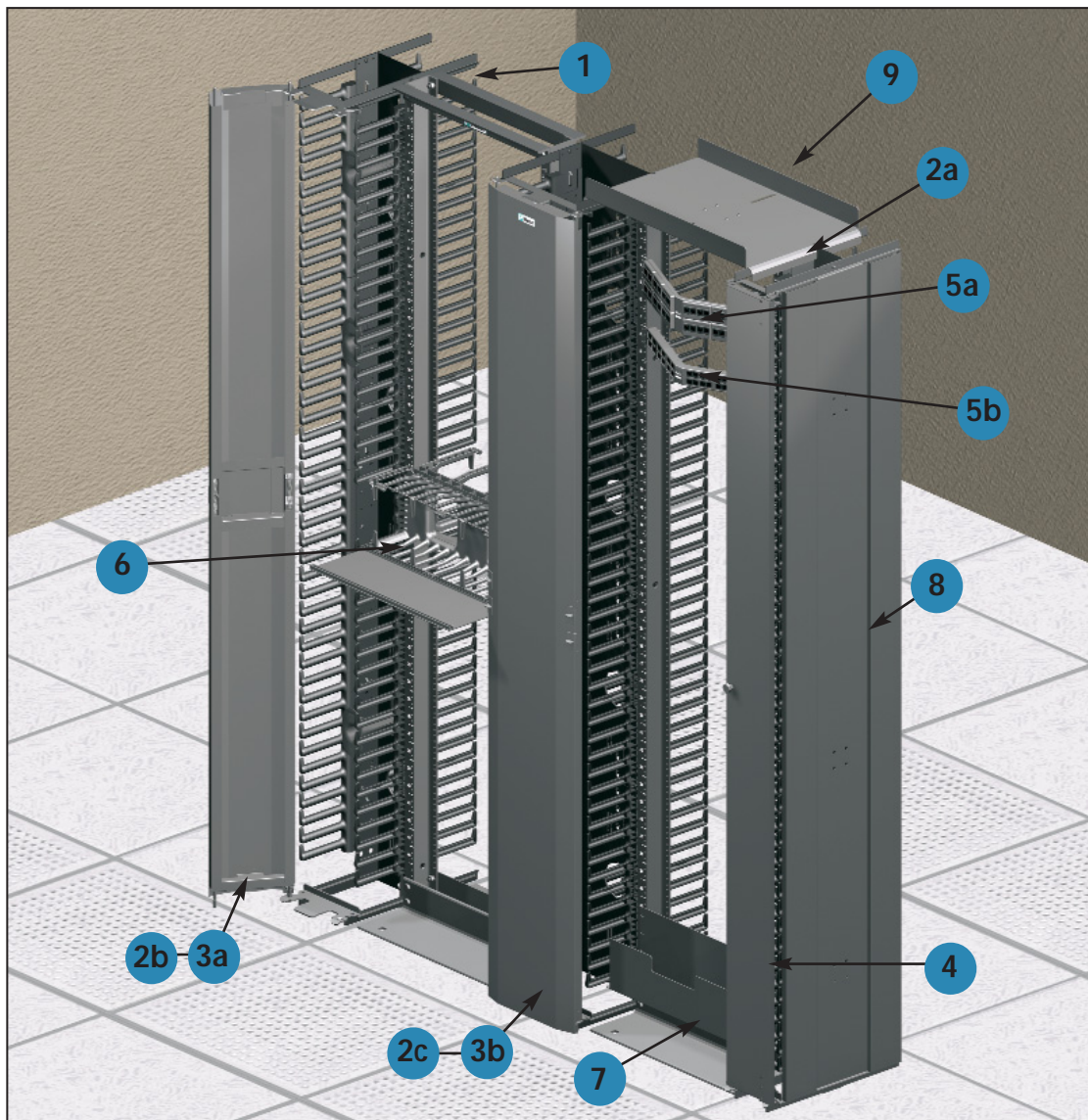
Cable routing trough:	CMT4 CMLT19 CMUT19
------------------------------	--------------------------

Accessories

7" front slack management spool:	PRSP7
5" rear slack management spool:	PRSP5
End panel:	PREP
Rack top trough:	CRTW
Cable retainer:	WR5E-X

For information about PATCHRUNNER™ 8' Vertical Cable Managers, please reference WW-RKSP24.

PATCHRUNNER™ Vertical Cable Managers



1 CMR19X84 – Standard EIA Rack
19" x 7", 45 Rack Units (RU)

PATCHRUNNER™ VERTICAL MANAGERS

2a PRV6 – 6" wide

2b PRV8 – 8" wide

2c PRV12 – 12" wide
PRV10 – 10" wide (not shown)
PRV15 – 15" wide (not shown)

HINGED DOORS

3a PRD8 – Dual Hinge, 8" wide
PRD10 – Dual Hinge, 10" wide
(not shown)
PRD15 – Dual Hinge 15" wide
(not shown)

3b PRD12 – Dual Hinge,
12" wide

4 PRSHD6 – Single Hinge,
6" wide (shown)

ANGLED MODULAR PATCH PANELS

5a CPPLA48WBLY – 2 RU,
48-Port

5b CPPA48HDWBLY – 1 RU,
High-Density 48-Port

6 NM4 – Cable Pathway, 4 RU

7 CMT4 – Trough, 4 RU

8 PREP – End Panel

9 CRTW – Rack Top Trough

WORLDWIDE SUBSIDIARIES AND SALES OFFICES

PANDUIT CANADA
Markham, Ontario
cs-cdn@panduit.com
Phone: 800.777.3300

PANDUIT EUROPE LTD.
London, UK
cs-emea@panduit.com
Phone: 44.20.8601.7200

PANDUIT SINGAPORE PTE. LTD.
Republic of Singapore
cs-ap@panduit.com
Phone: 65.6379.6700

PANDUIT JAPAN
Tokyo, Japan
cs-japan@panduit.com
Phone: 81.3.3767.7011

PANDUIT LATIN AMERICA
Jalisco, Mexico
cs-la@panduit.com
Phone: 52.333.777.6000

PANDUIT AUSTRALIA PTY. LTD.
Victoria, Australia
cs-aus@panduit.com
Phone: 61.3.9794.9020

For a copy of PANDUIT product warranties, log on to www.panduit.com/warranty



For more information

Visit us at www.panduit.com

Contact Customer Service by email: cs@panduit.com
or by phone: 800-777-3300 and reference RKSP12

©2008 PANDUIT Corp.
ALL RIGHTS RESERVED.
Printed in the U.S.A.
WW-RKSP12
2/2008