

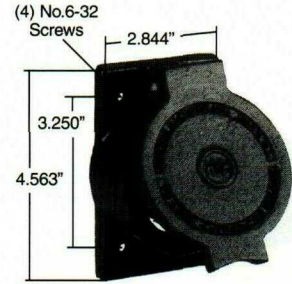
Turnlok® Devices Receptacles, Connectors, Plugs, Inlets, Outlets

5 Wire Power Interrupting Devices
30A, 600VAC, 20A, 250VDC; 60A, 600VAC

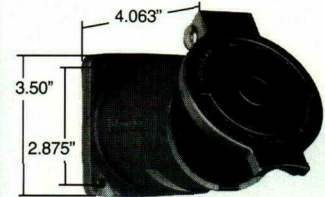
Pass & Seymour
legrand®

Turnlok® Devices

Catalog Number	Rating A. V.	Description	Cord Diameter	3rd Party Compliance
				UL498
Receptacles				
25250	30A 600VAC 20A 250VDC	Die-Cast with Lift Lid Enclosure		
26520	60 600	Die-Cast with Lift Lid Enclosure		•
Connectors				
25414-N	30A 600VAC 20A 250VDC	Non-Metallic	.625"-1.000" .725"-1.250"	
26527	60 600	Metallic		•
Plugs				
25415-N	30A 600VAC 20A 250VDC	Non-Metallic	.625"-1.000" .725"-1.250"	
26526	60 600	Metallic		•
Flanged Inlets & Outlets				
26515-A	60 600	Inlet, Die-Cast		•
26514-A	60 600	Outlet, Die-Cast		•



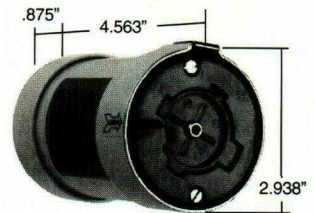
25250



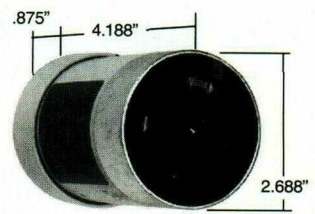
26520



25414-N



26527

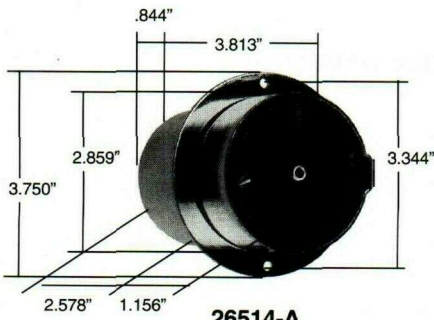


26526

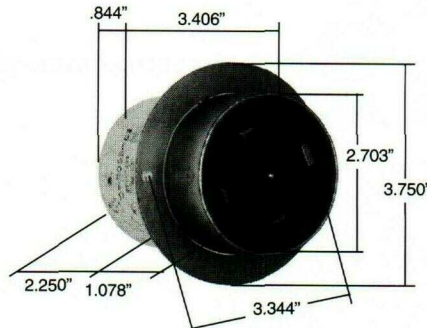
Configuration Descriptions
4-Pole 5-Wire
30A. 600VAC; 20A. 250VDC

4-Pole 5-Wire
60A. 600V

Catalog Number	Description
Accessories	
26400	Box and Plate for 26420
26401	Box only for 26404 Angle Adapter
26402	Mounting Plate only for 26401 Box
26404	45° Angle Adapter



26514-A



26515-A

Receptacles, Connectors, Plugs, Inlets, Outlets