

Fan Speed & De-Hummer Controls

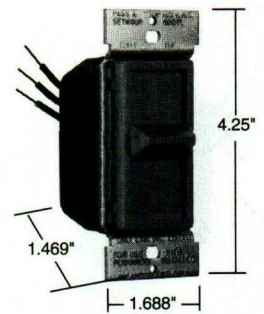
120VAC, 60 Hz



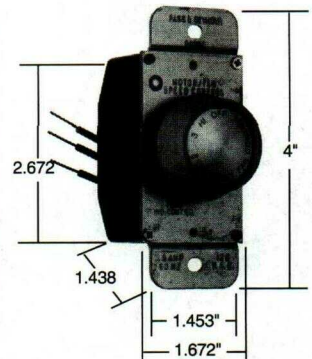
No-Noise De-Hummers

Since the development of the variable fan speed controls, many fans have made an annoying humming noise when their speed was reduced. Through the use of specially designed capacitive circuitry, these units can control at 3 and 4-speed levels in slide, rotary and dual styles with virtually no fan motor noise.

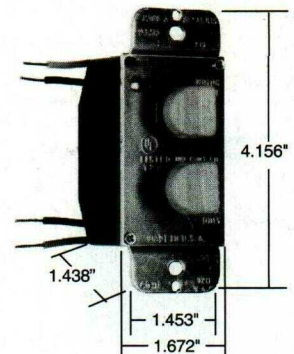
Catalog Number	Description	Color	Ratings
1.5A Max. Slide Specification Grade-No-Noise De-Hummers, RFI Protected			
94084-I	3-Speed, Single Pole	Ivory	1.5A max.
94084-W	3-Speed, Single Pole	White	1.5A max.
94084-GRY	3-Speed, Single Pole	Gray	1.5A max.
1.5A Max. Rotary Specification Grade-No-Noise De-Hummers, RFI Protected			
94003-I	3-Speed, Low-Medium-High	Ivory	1.5A max.
94003-W	3-Speed, Low-Medium-High	White	1.5A max.
94004-CL	4-Speed, Low-High	Clear	1.5A max.
94004-I	4-Speed, Low-High	Ivory	1.5A max.
94004-W	4-Speed, Low-High	White	1.5A max.
94004-LA	4-Speed, Low-High	Lt. Almond	1.5A max.



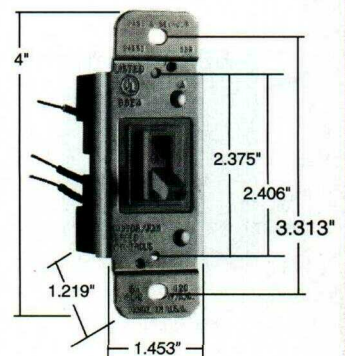
94084



94004
94003



94215
94315
94331



94551-I

Dual Control Features

- Fits one gang box.
- Controls both fan speed & light level.
- Decorator styling.

Catalog Number	Description	Color	Ratings
1.5A/300W Max. Dual Control Specification Grade-No-Noise De-Hummers			
94315-I	3-Speed Fan Control and 2-Level Hi/Low Dimmer	Ivory	1.5A/300W max.
94315-W	3-Speed Fan Control and 2-Level Hi/Low Dimmer	White	1.5A/300W max.
94315-LA	3-Speed Fan Control and 2-Level Hi/Low Dimmer	Lt. Almond	1.5A/300W max.
94215-I	4-Speed Fan Control and 2-Level Hi/Low Dimmer	Ivory	1.5A/300W max.
94215-W	4-Speed Fan Control and 2-Level Hi/Low Dimmer	White	1.5A/300W max.

Requires 3-wire installation

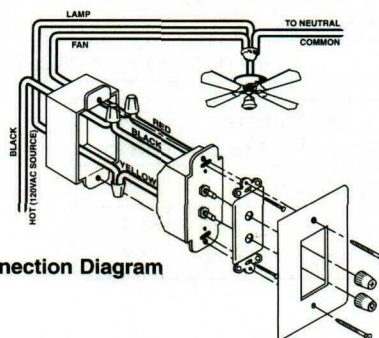
Catalog Number	Description	Color	Ratings
3A/300W Max. Dual Control Specification Grade			
94331-I	Dial Speed Control and Dimmer	Ivory	3A/300W max.

Toggle Control Features

- Fits standard switch plate.
- Full variable speed control.
- Can control multiple fans up to full rated load.

Catalog Number	Description	Color	Ratings
5A Max. Toggle Specification Grade, RFI Protected			
94551-I	Full-On	Ivory	5A max.
94551-LA	Full-On	Lt. Almond	5A max.

Note: All controls on this page may be ganged without de-rating.



Dual Control Connection Diagram

UL Listed and CSA Certified.

Lumaspec® Dimmers & Fan Speed Controls

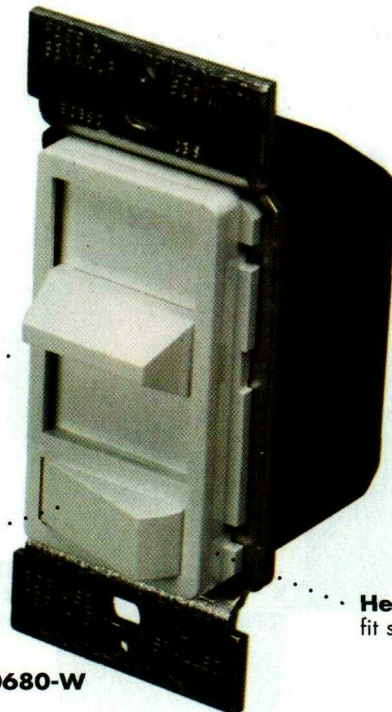
Pass & Seymour
legrand

Lumaspec® Dimmers & Fan Speed Controls

Full-on bypass allows user to bypass dimming function for 100% lighting output; reduces heat stress for longer unit life.

Matching cover supplied with Extra-Heavy Use models.

Preset "On/Off" switch automatically returns controlled lights to preset level without readjusting dimmer setting.



90680-W

600W maximum rated dimmers can be ganged without de-rating.

Heavy-use 1000W rated dimmers fit standard decorator plates.

All Pass & Seymour/Legrand Dimmers and Fan Speed Controls are backed by a lifetime warranty. See Installation Instructions for details.

Today's home and business owners want optimum control of their electrical systems. Lumaspec® Dimmers and Fan Speed Controls provide that control — along with aesthetics, durability, trouble-free installation, and technologies aimed at solving real-world problems.

Index

Device	Rating	Page Number
Capabilities Chart		M-3
Touch Dimmers	120VAC, 60 Hz	M-4
Slide Dimmers	120VAC, 60 Hz	M-5
Slide Dimmers	120 & 277VAC, 60 Hz	M-6
Slide & Toggle Dimmers	120VAC, 60 Hz	M-7
Rotary Dimmers	120VAC, 60 Hz	M-8
High Wattage Rotary Dimmers	120VAC, 60 Hz	M-9, M-10
Fan Speed & De-Hummer Controls	120VAC, 60 Hz	M-11
Fan Speed Controls	120VAC, 60 Hz	M-12
VisionPak™ Display Packaging Program		M-13
VisionPak™ and DynaPak Dimmer Ordering Information	120VAC, 60 Hz	M-14 - M-16
VisionPak™ and DynaPak Fan Speed Control Ordering Information	120VAC, 60 Hz	M-17
Wall Box Timers - Rotary	125, 125-T, 250 & 277VAC, 60 Hz	M-18
Wall Box Timers - Toggle	500W, 1/3 HP, 120VAC, 60 Hz	M-19