

Electrical Accessories

Low Voltage Switching Components

Pass & Seymour
legrand

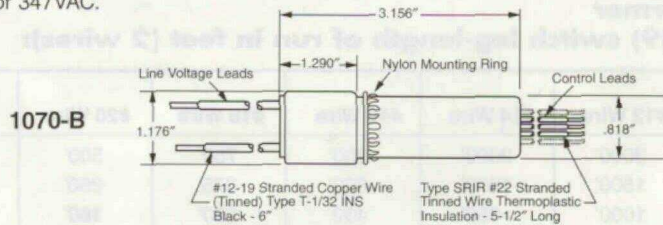
Electrical Accessories

Features

- Mount in standard 1/2" KO through noise suppressing nylon ring.
- Maximum ambient temp: 140°F (60°C).
- Insulated flame retardant nylon shell.
- Prestripped 5-1/2" (140mm) #22 AWG leads for easy wiring.
- Split coil design energizes ON coil to close line contacts, & OFF coil to open contacts.
- Can be mounted in any position.
- Operates on momentary impulse.

Catalog Number	Rating		3rd Party Compliance	
	A.	V.	UL	CSA
			UL Listed	CSA Listed
Magnetic Latching Relay, 24VAC/24VDC Control				
1070-B	20	120/277VAC	•	•
	20	347VAC		

CSA listed for 347VAC.

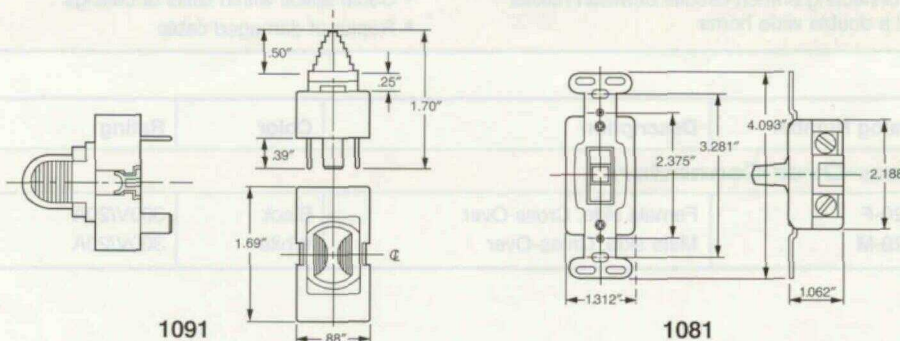


Features

- Available in Despard® Interchangeable & heavy-duty toggle versions.
- Side wired screw terminals.
- Heavy-duty toggles recommended where L. V. switches must match conventional switches.

Catalog Number	Color	Rating		Description
		A.	V.	
Momentary Contact Switches				
1091-I	Ivory	3	24 AC/DC	Despard Interchangeable
1091-W	White	3	24 AC/DC	Despard Interchangeable
1091-GRY	Gray	3	24 AC/DC	Despard Interchangeable
1050-K				Key only for Despard Locking Switch
1081-I	Ivory	3	24 AC/DC	Heavy-duty Toggle
1081-W	White	3	24 AC/DC	Heavy-duty Toggle
1081-GRY	Gray	3	24 AC/DC	Heavy-duty Toggle
1081-KGRY	Gray	3	24 AC/DC	Heavy-duty Toggle, Locking
500-K				Key only for heavy-duty Locking Switch

Note: When installing low voltage control wiring, wires should not be bundled or run in parallel with line voltage wires.



Low Voltage Switching Components