

Switches Specification Grade Switches

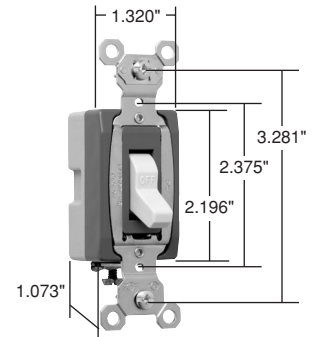
15, 20 & 30A, 120, 277 & 120/277VAC

Pass & Seymour
legrand®

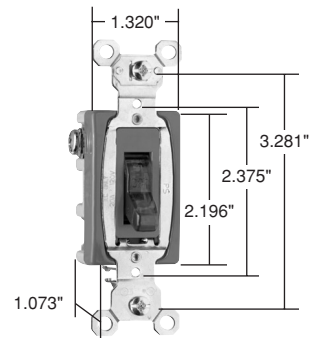
Switches

Features

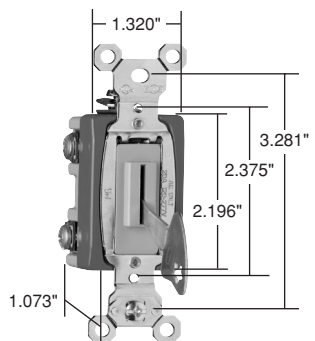
- External screw-pressure-plate back and side wired. Accepts #14 – #10 AWG copper or copper-clad conductors.
- Heavy gauge one-piece copper alloy contact arm virtually eliminates contact bounce.
- Cam controls fast “make” and positive “break” to minimize arcing.
- Heavy-duty bumper pads for quiet operation.
- High strength Thermoplastic toggle.
- Oversized silver alloy contacts for long life and better heat dissipation.
- Grounding terminal is standard.
- Shallow design for ease of installation.
- Urea body and nylon cover for superior heat resistance.**
- Strap nickel-plated steel with integral ground.**



15 & 20 Series*



Lighted & Pilot Lighted Series*



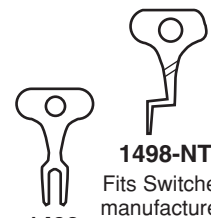
Locking Series*

*30AC series is 1.437" wide

Lock Switch Keys
(One key furnished with each switch)



500K
Fits new Switches



1498-NT
Fits Switches manufactured 1976-1982

1498
Fits Switches manufactured before 1976

Catalog Number				Rating A. VAC	Color	3rd Party Compliance		
Single Pole	Double Pole	Three-Way	Four-Way			UL UL20	FSUL WS896	CS C22.2 111
Toggle Switches Back & Side Wire								
PS15AC1-I	PS15AC2-I	PS15AC3-I	PS15AC4-I	15 120/277	Ivory	•	•	•
PS15AC1-W	PS15AC2-W	PS15AC3-W	PS15AC4-W	15 120/277	White	•	•	•
PS15AC1	PS15AC2	PS15AC3	PS15AC4	15 120/277	Brown	•	•	•
PS15AC1-GRY	PS15AC2-GRY	PS15AC3-GRY	PS15AC4-GRY	15 120/277	Gray	•	•	•
PS15AC1-LA	PS15AC2-LA	PS15AC3-LA	PS15AC4-LA	15 120/277	Light Almond	•	•	•
PS20AC1-I	PS20AC2-I	PS20AC3-I	PS20AC4-I	20 120/277	Ivory	•	•	•
PS20AC1-W	PS20AC2-W	PS20AC3-W	PS20AC4-W	20 120/277	White	•	•	•
PS20AC1	PS20AC2	PS20AC3	PS20AC4	20 120/277	Brown	•	•	•
PS20AC1-GRY	PS20AC2-GRY	PS20AC3-GRY	PS20AC4-GRY	20 120/277	Gray	•	•	•
PS20AC1-BK	PS20AC2-BK	PS20AC3-BK	PS20AC4-BK	20 120/277	Black	•	•	•
PS20AC1-RED	PS20AC2-RED	PS20AC3-RED	PS20AC4-RED	20 120/277	Red	•	•	•
PS20AC1-LA	PS20AC2-LA	PS20AC3-LA	PS20AC4-LA	20 120/277	Light Almond	•	•	•
PS30AC1-I	PS30AC2-I	PS30AC3-I		30 120/277	Ivory	•	•	•
	PS30AC2-W			30 120/277	White	•	•	•
PS30AC1	PS30AC2	PS30AC3		30 120/277	Brown	•	•	•
Lighted Toggle Switches (Lighted when OFF) Back & Side Wire								
PS15AC1-CSL		PS15AC3-CSL		15 120/277	Clear	•	•	•
PS15AC1-ISL		PS15AC3-ISL		15 120/277	Ivory	•	•	•
PS15AC1-WSL		PS15AC3-WSL		15 120/277	White	•	•	•
PS20AC1-CSL		PS20AC3-CSL		20 120/277	Clear	•	•	•
PS20AC1-ISL		PS20AC3-ISL		20 120/277	Ivory	•	•	•
PS20AC1-WSL		PS20AC3-WSL		20 120/277	White	•	•	•
PS20AC1-LASL		PS20AC3-LASL		20 120/277	Light Almond	•	•	•
Pilot Lighted Switches (Lighted when ON) Back & Side Wire								
PS15AC1-CPL		PS15AC3-CPL		15 120	Clear	•	•	•
PS15AC1-RPL		PS15AC3-RPL		15 120	Red	•	•	•
PS20AC1-CPL		PS20AC3-CPL		20 120	Clear	•	•	•
PS20AC1-CPL7		PS20AC3-CPL7		20 277	Clear	•	•	•
PS20AC1-RPL		PS20AC3-RPL		20 120	Red	•	•	•
PS20AC1-RPL7		PS20AC3-RPL7		20 277	Red	•	•	•
	PS20AC2-CPL			20 120/277	Clear	•	•	•
	PS20AC2-RPL			20 120/277	Red	•	•	•
PS30AC1-RPL		PS30AC3-RPL		30 120	Red	•	•	•
	PS30AC2-RPL			30 120/277	Red	•	•	•
Lock Switches (Key can be removed in both positions) Back & Side Wire								
PS15AC1-L		PS15AC3-L		15 120/277	Gray	•	•	•
PS20AC1-L	PS20AC2-L	PS20AC3-L	PS20AC4-L	20 120/277	Gray	•	•	•
PS20AC1-IL		PS20AC3-IL		20 120/277	Ivory	•	•	•
PS20AC1-WL		PS20AC3-WL		20 120/277	White	•	•	•
PS20AC1-LAL		PS20AC3-LAL		20 120/277	Light Almond	•	•	•

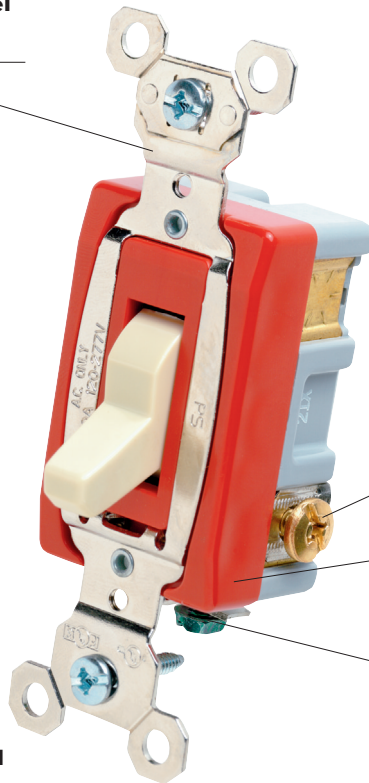
All devices listed on this page conform to NEMA WD-1.

1-piece nickel-plated steel strap with integral ground.

Heavy-duty bumpers for quiet, smooth operation.

Oversized silver-alloy contacts for long life and better heat dissipation.

Heavy-duty, brass alloy, one-piece contact arm virtually eliminates contact bounce.



PS20AC3-I

Cam control and spring actuator for positive “makes and breaks” with a minimum of arcing.

Side and external screw-pressure-plate back wire with #14 – #10 AWG copper or copper-clad wire.

Shallow design for easier installation.

Grounding terminal is standard with screw-pressure-plate back wire.

Readily installed in the plant or at the office — you can rely on all of our switches for years of quiet, trouble-free operation.

HP Conversion Table – Switches

15 Amp	1/2 Horsepower at 120VAC 2 Horsepower at 240VAC
20 Amp	1 Horsepower at 120VAC 2 Horsepower at 240VAC
30 Amp	2 Horsepower at 120VAC 2 Horsepower at 240VAC

Index

Device	Rating	Page Number
Horsepower Rating Chart		A-1
Specification Grade Decorator Switches	15A & 20A, 120/277 & 347VAC; 20A, 120VAC	A-2
TradeMaster® Decorator Switches	15A, 120 & 120/277VAC	A-3
TradeMaster® Decorator Combination Switches	15A, 120/125 & 120/277VAC	A-4 – A-6
Specification Grade Switches	15, 20 & 30A, 120, 277 & 120/277VAC	A-7
Lock Switch Keys		A-7
Specification Grade & Security Switches	15 & 20A, 347VAC; 20A, 120/277VAC	A-8
Construction & Commercial Specification Grade Switches	15 & 20A, 120/277VAC	A-9
Manual Controllers	20 & 30A 1ø; 20 & 30A 3ø	A-11
Manual Controllers	40A 1ø & 3ø	A-12
Manual Controllers	15, 20 & 30A, 120/277VAC	A-13
Manual Controllers	60A NEMA 3R	A-14
Grounding Toggle Switches	15A, 120VAC	A-15
Non-Grounding Toggle Switches	15A, 120VAC	A-16
Grounding Combination Switches	15 & 20A, 120/277VAC; 15A, 120/125VAC; 20A, 120VAC	A-17
Non-Grounding Combination Switches	15 & 20A, 120/277VAC; 15A, 120/125VAC	A-18
Canopy Switches & 911 Locator	15A, 120 & 250VAC; 15A, 120VAC	A-19